



FORD E40D/4R100 Overdrive PowerPack®

ALTO PART # 026758

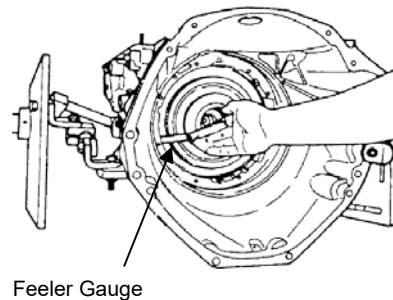
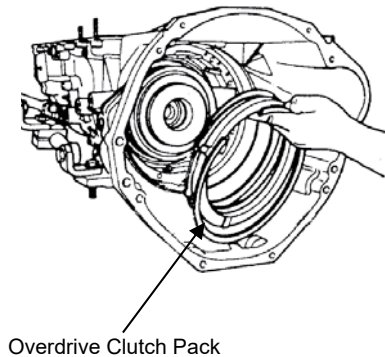
Alto # 026758 POWERPACK® CONTENTS:

- (4) 026722B177 (.070" / 1.77mm) Red Eagle® Friction Plates
- (4) 026723K200 (.080" / 2.0mm) Kolene® Steel Plates
- (1) 026763-487 (.192" / 4.87mm) Top Pressure Plate

Note: Always pre-soak friction elements for at least 15-20 minutes in manufacturer recommended ATF.

INSTALLATION INSTRUCTIONS

Stack up is the same method as OE. Start the stack-up with a steel plate. Alternate with a friction plate until all frictions and steels are used.



The overdrive clutch pack clearance should be set at .022" to .047" (0.55mm – 1.20mm). Measure using a feeler gauge between the top pressure plate and the selective snap ring. To achieve the recommended clearance, use one of the selective snap rings available from local Ford dealer.