



**Chrysler 68RFE 2<sup>nd</sup> Clutch PowerPack®**  
**Stage 2 – 07-On**  
Stock, Heavy Duty, Hi-Performance, Race Vehicles

**ALTO PART # 128757D**

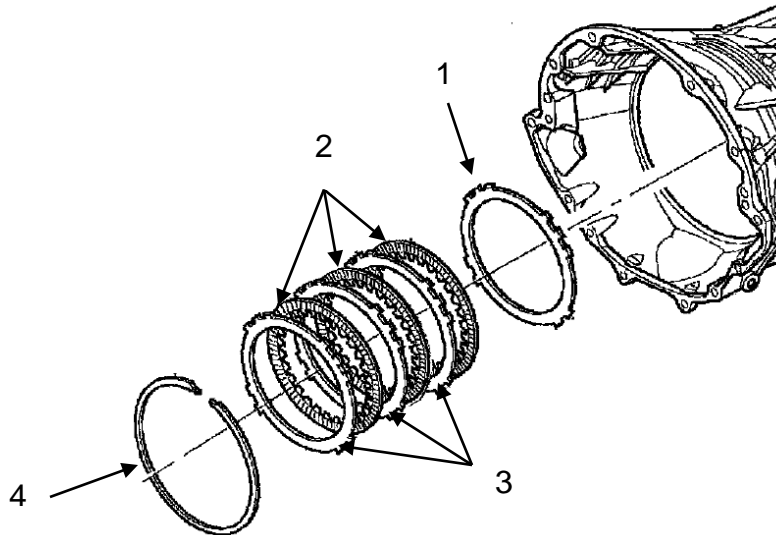
Alto # 128757D POWERPACK® CONTENTS:

(3) 128742-230 Red Eagle® Friction Plates

(3) 128703K323 Kolene® Steel Plates

**INSTALLATION INSTRUCTIONS**

**Note:** Pre-soak friction plates for at least 15-20 minutes in the manufacturer's recommended ATF.



Stack-up is same as OE:

Install the 2C reaction plate (1) into the transmission case.

Install the Red Eagle® frictions (3) and Kolene® steel plates (3), starting with a friction and ending with a steel plate.

Install the Flat 2C snap-ring (4) into the transmission case.

Using air (40 PSI) apply the 2nd clutch several times to seat all of the clutch pack elements

Check clutch pack clearance using a feeler gauge in four places between the reaction plate and the transmission case. Clearance should be 0.455 to 1.335mm (.018" to .053")