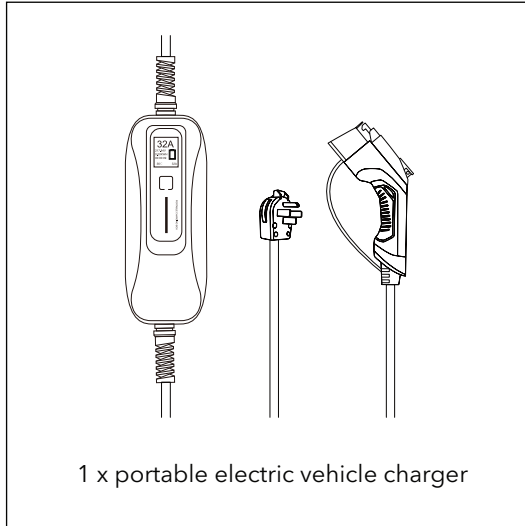


# Lectron 32A Level 2 EV Charger

USER MANUAL



## In the Box

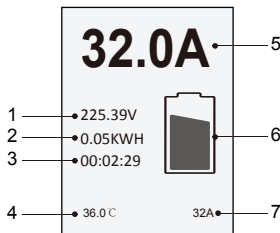


## Safety Information

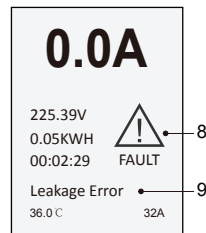
1. It is recommended that electrical outlets for your charger should be installed by a licensed and qualified electrician. To avoid serious injury or death, the installation must comply with the provisions of the National Electric Code (NEC) and all local codes. In cases of any conflict between the local codes and the NEC, local codes shall take precedence.
2. This product must be grounded. If it should malfunction or break down, grounding provides a path of least resistance for electric current to help reduce the risk of electric shock. This product includes a cord equipped with a grounding conductor and a grounding plug. The plug must be inserted into an appropriate outlet that is properly installed and grounded in accordance with all local codes and ordinances.
3. Do NOT DROP the charger or handle.
4. If the output plug separates from the charger module or the handle. Do not attempt to repair the cable on your own. Contact the customer support: [contact@ev-lectron.com](mailto:contact@ev-lectron.com) - for assistance.

5. When using your charger, basic precautions should always be followed, including the following:
- Read warnings on the charger cord label before operating the charger for the first time. Read all instructions in this guide before using this charger.
  - Never use the charger with an extension cord.
  - Never use the charger with any AC adapter.
  - Shock hazard - make sure the plug is fully inserted into the wall outlet so that there are no exposed blade surfaces.
  - Children should be supervised when in the vicinity of the charger while plugged in.
  - To reduce the risk of fire, connect only to a circuit provided with 40 amps maximum branch circuit overcurrent protection.

## Charging Display Overview



1. Real-time voltage
2. Charge amount
3. Charging time
4. Unit temperature
5. Real-time current



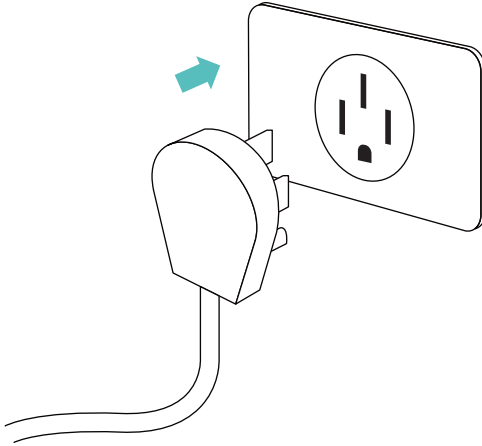
6. Charging icon
7. Rated current
8. Fault icon
9. Cause of fault

**Note:** Be sure to set the charging current before inserting the handle into the vehicle.

# How to Use

**Note:** Ensure the car is parked and the engine is turned off.

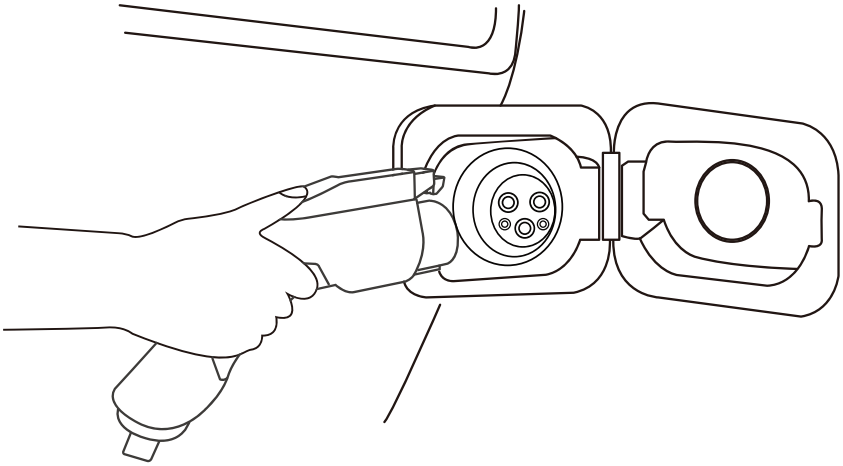
1. Plug into the socket.



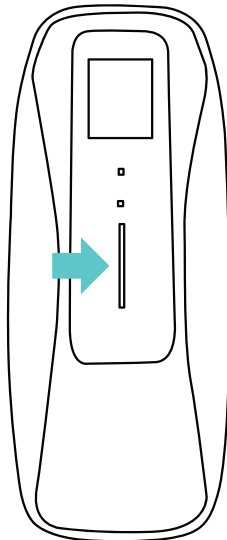
2. Press the button to switch on the charging current.



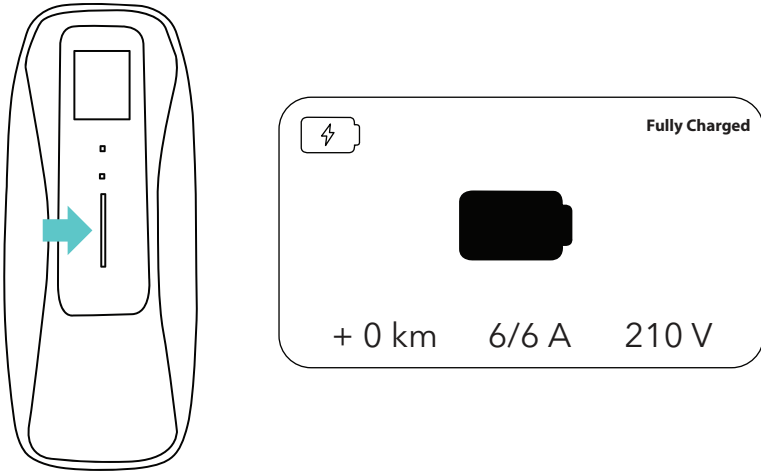
3. Plug the handle into your EV.



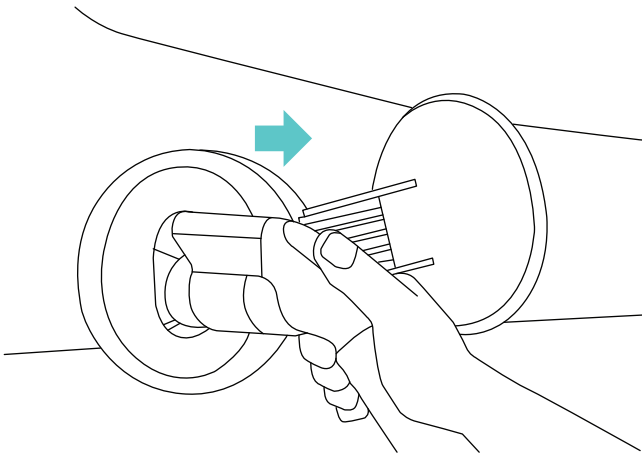
4. Charging begins automatically. While charging, the LED indicator will blink continuously. Verify the charging status by checking your vehicle dashboard.



5. When the vehicle is fully charged, the LED indicator light will stay solid.



6. Disconnect the handle when the charging is complete by pressing the release button on the handle and removing it from the vehicle.

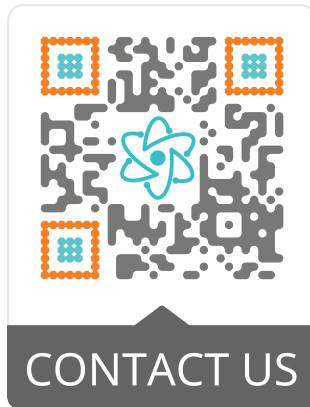


## Specifications

Input/output:	100 V - 250 V
Frequency:	50 / 60 Hz
Maximum current:	32 A
Cable length:	16 ft (18 ft total reach)
Plug:	NEMA 14-50
EV connector:	SAE-J1772
Dimensions:	16.5 X 13 X 5 in
Weight:	9.9 lb
Operating temperature:	-22°F to 122°F

## Get More Support

Scan the QR code below or email us at [contact@ev-lectron.com](mailto:contact@ev-lectron.com).



For more information, visit:  
[www.ev-lectron.com](http://www.ev-lectron.com)  
Made in China