

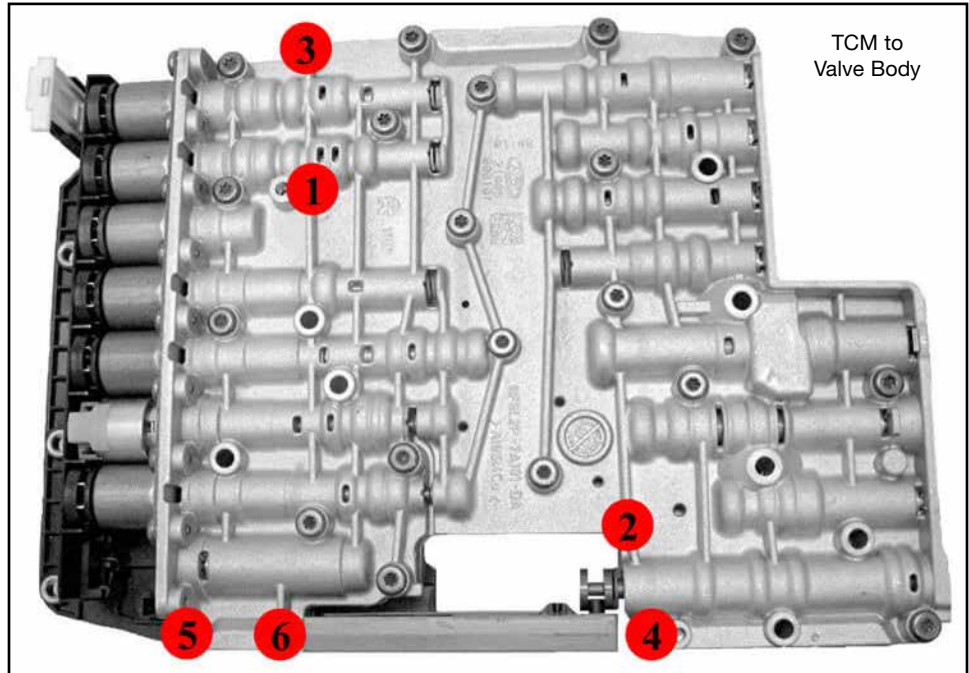
**6R60  
 Remanufactured  
 Valve Body**

('06-'09)

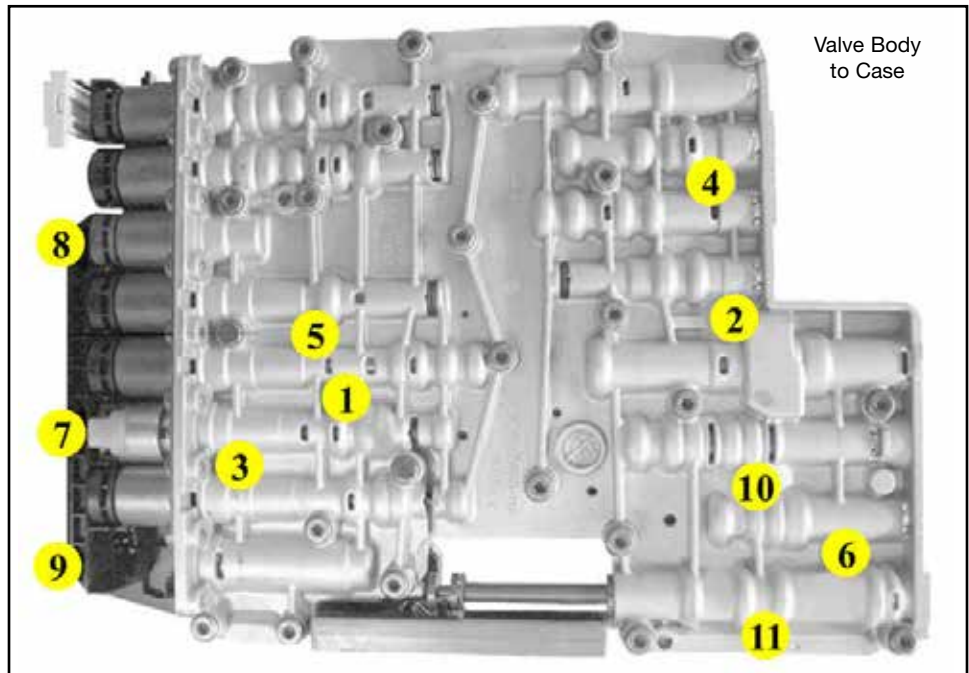
**Part No.  
 FZR60**



**WARNING:** DO NOT touch the TCM pins or solenoid connectors.



TCM to  
 Valve Body



Valve Body  
 to Case

**Torque valve body bolts in sequence shown: 53 in-lbs**