

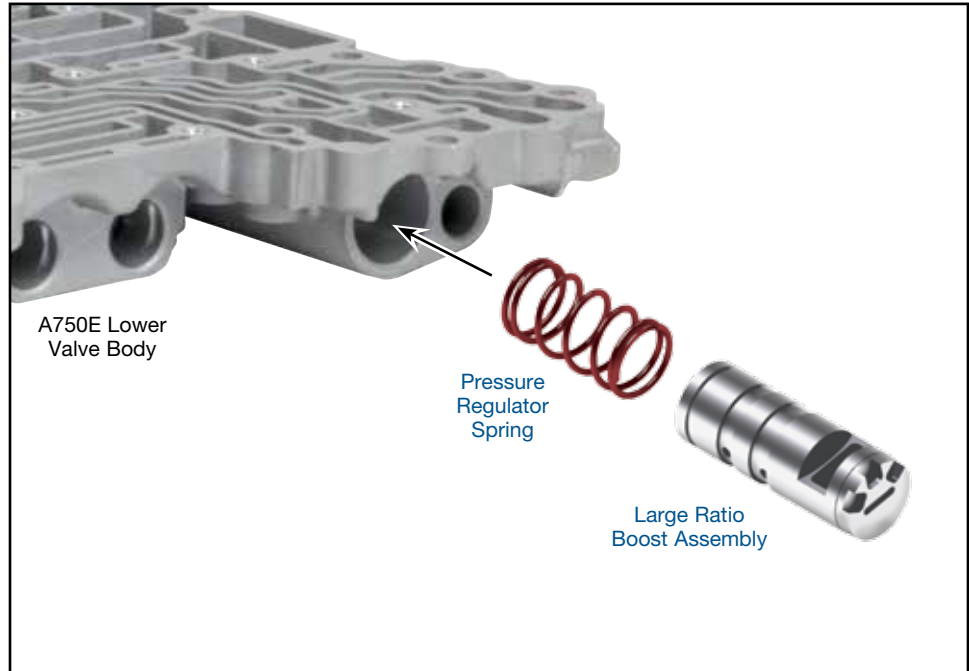
Toyota/Lexus A750E, A750F, A760E, A760F, A760H, A761E, A960E, A960F, AB60E, AB60F

Line Pressure Booster Kit

Part No.

A750-LB1

- Large Ratio Boost Assembly
- Pressure Regulator Spring



NOTE: Before disassembly, note position of retainer on OE sleeve. Retainer must be returned to the corresponding step on Sonnax sleeve during installation.

1. Disassembly

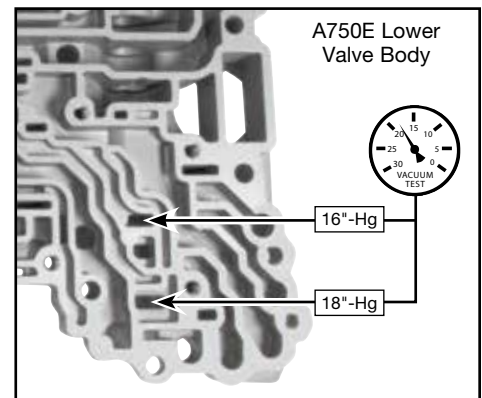
- Remove OE boost sleeve retainer after noting its step position on OE boost sleeve. Set retainer aside for reuse.
- Remove and discard OE boost assembly and pressure regulator spring.

2. Installation

- Install Sonnax pressure regulator spring.
- Install Sonnax large ratio boost assembly.
- Reinstall OE retainer.
- Ensure retainer is set into the same step position on Sonnax sleeve that was noted on OE boost sleeve before disassembly.

3. Final Verification

Vacuum testing at the ports indicated holds the recommended minimum 16 and 18 in-Hg.

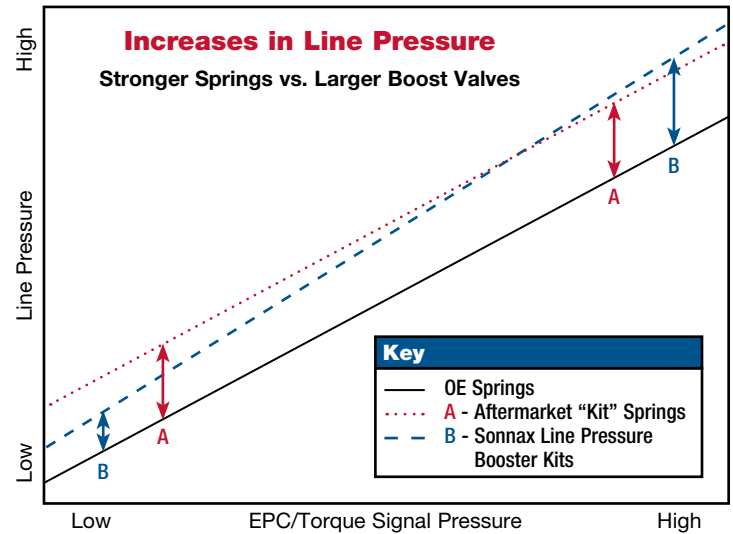


The Prescription for Optimum Pressure

Stronger pressure regulator springs raise pressure equal amounts at idle and maximum pressure. Many aftermarket “kit” springs are a compromise, raising pressure too much at idle and not enough at maximum pressures (A in graph). Larger boost valves, on the other hand, have a progressive effect on pressure, changing the rate of pressure increase (B in graph).

The Sonnax large ratio boost valves and stronger pressure regulator springs are designed to work together. This is an ideal combination: smooth engagements and lower load on the pump at idle, but a greater increase in pressure as the transmission is worked harder.

For a more in-depth look at raising line pressure, read *The Prescription for Optimum Pressure* in the Sonnax online technical library at www.sonnax.com.



Pump Tech

Good Pressure Depends on a Good Pump

Verify Pump Specifications

Excess clearance equals low pump volume and pressure.

Gear Pocket Clearance	.0012" to .0019" Check with feeler gauge and straight edge over pump face, or with Plastigauge and bolt complete pump together.
Outer Gear to Pump Body	.004" – .007" max.
Lobe to Lobe	.0027" – .0059" max.
Pump Housing Flatness	.001"