

Heavy Duty Input Shaft

Part No.
76655A-HD

Ford 4R70E, 4R70W, 4R75E, 4R75W, AODE

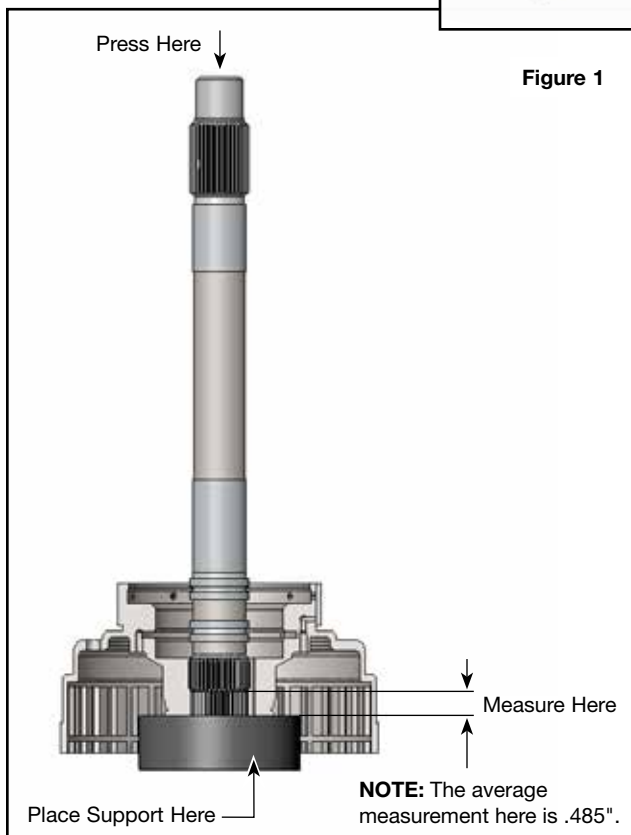


Figure 1

1. Clean and inspect splines in drum and on shaft.
2. Lubricate splines with oil.
3. Support the center of the drum as shown
4. Press shaft into drum until dimension is .485" (+/- .005") (Figure 1).
5. It helps to machine a .485" thick stop to prevent shaft from being pressed too far into drum.