

## Oversized Solenoid Pressure Regulator Valve

Part No.  
**144740A-01**



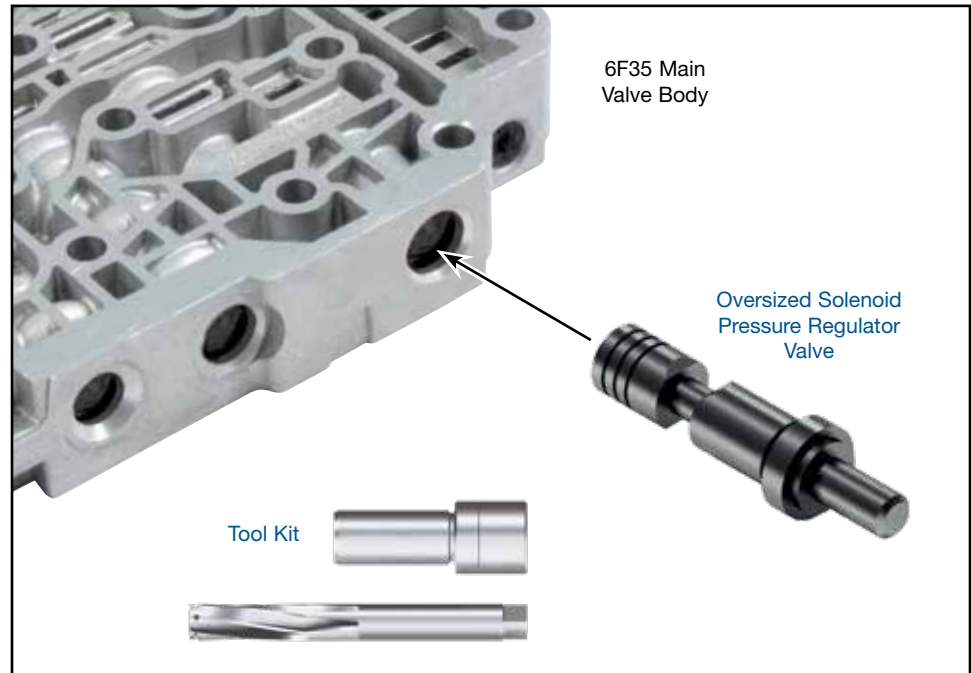
## Tool Kit

Part No.  
**144740-TL**

- Reamer
- Reamer Jig

**NOTE:** This tool kit can also be used to install the oversized actuator feed limit valve for first generation GM 6T40/45/50 units.

## Ford 6F35 (Gen. 1 & 2)



### 1. Disassembly

Remove OE retaining clip, spring and valve. Discard valve, while saving retaining clip and spring for reuse.

### 2. Bore Reaming

Ream solenoid pressure regulator bore (for reaming instructions/reamer care, please visit [www.sonnax.com](http://www.sonnax.com)). Sonnax reaming tool kit **144740-TL** is required for this operation.

### 3. Installation & Assembly

- Remove debris and thoroughly clean valve bore and body.
- Install Sonnax oversized solenoid pressure regulator valve.
- Reinstall OE spring.
- Reinstall OE retaining clip.

### 4. Final Testing

Vacuum testing at the port(s) indicated holds the recommended minimum 16 in-Hg.

